

Applications

Low-Current Connector

Mechanical

Durability: ≥ 500 mating cycles

Connection: Crimped connections

Mating Force $< 100\text{N}$

Electrical

Rated voltage: 1000V dc

Rated current: $\leq 16\text{A}$ (DC)

Insulation Resistance: $\geq 200\text{M}\Omega$ (1000V DC)

Withstand Voltage: 3000Vac(AC)

Environmental

Protection grade: IP67(With dust cap);

Electrical protection: IP2XB (No dust cap)

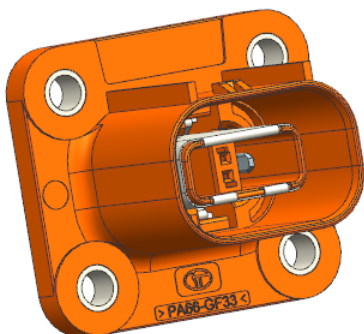
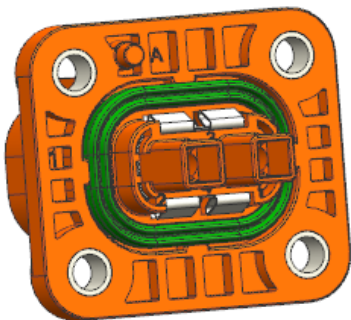
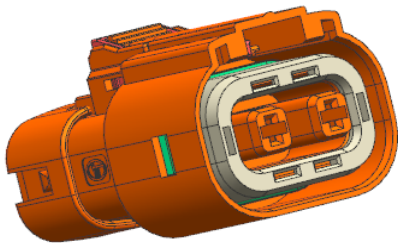
Operating temperature: -40°C to 125°C

Storage temperature: -40°C to 125°C

Standards

GB/T 20234.2-2015

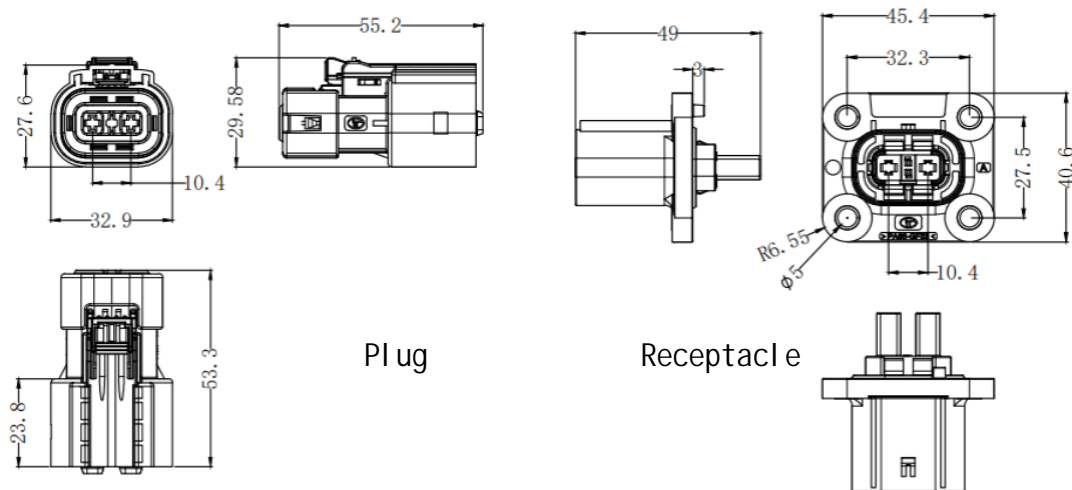
GB/T 20234.3-2015



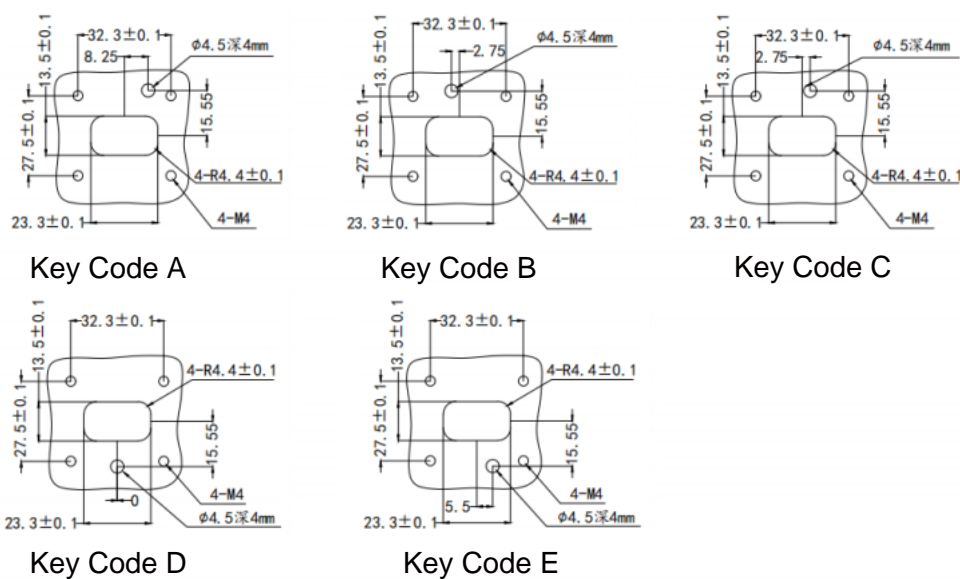
Product Selection Guide

280 Series Two-Pin Connector Selection	ST	549000	-	A	-	2.5
Company abbreviation code: ST:ShiTU						
Product category: 549000 : 280 Series Two-Pin plug 550000 : 280 Series Two-Pin Receptacle						
-						
Polarization Key Code: A: Key Code A B: Key Code B C: Key Code C D: Key Code D E: Key Code E						
-						
Applicable Wire Size: 2.5 mm ² (φ4.2-4.6mm) 4 mm ² (φ5.2-5.7mm)						

Overall Dimensions and Cables



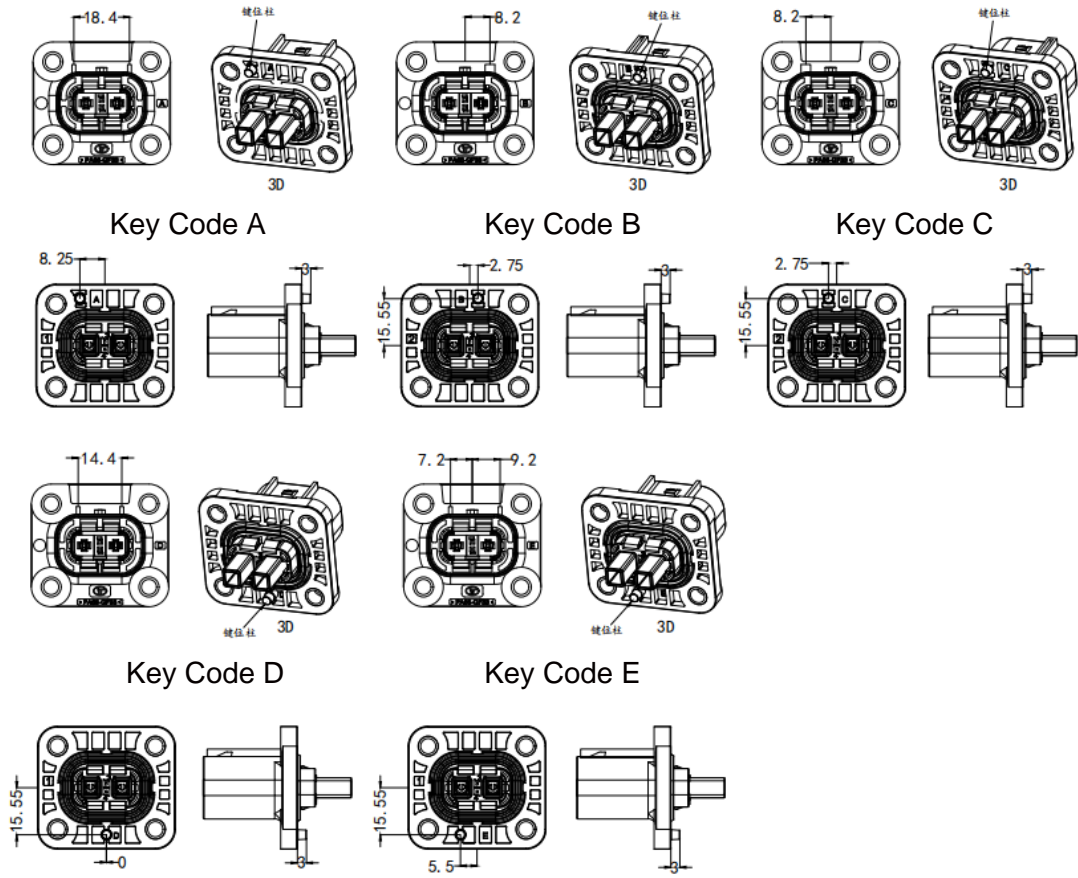
Panel Cutout Dimensions



Cables

Comprising a plug, receptacle, and cable, it is designed to deliver power up to 125A and 1000V DC for electric vehicle charging, meeting the requirements for Mode 4, Connection Case C charging applications

Receptacle Keying



Plug Keying

